

**SAMPLES
OF SHELVING
RACKS USAGES**



*Solution for You ...
... PROMAN for You*

SHELVING RACKS



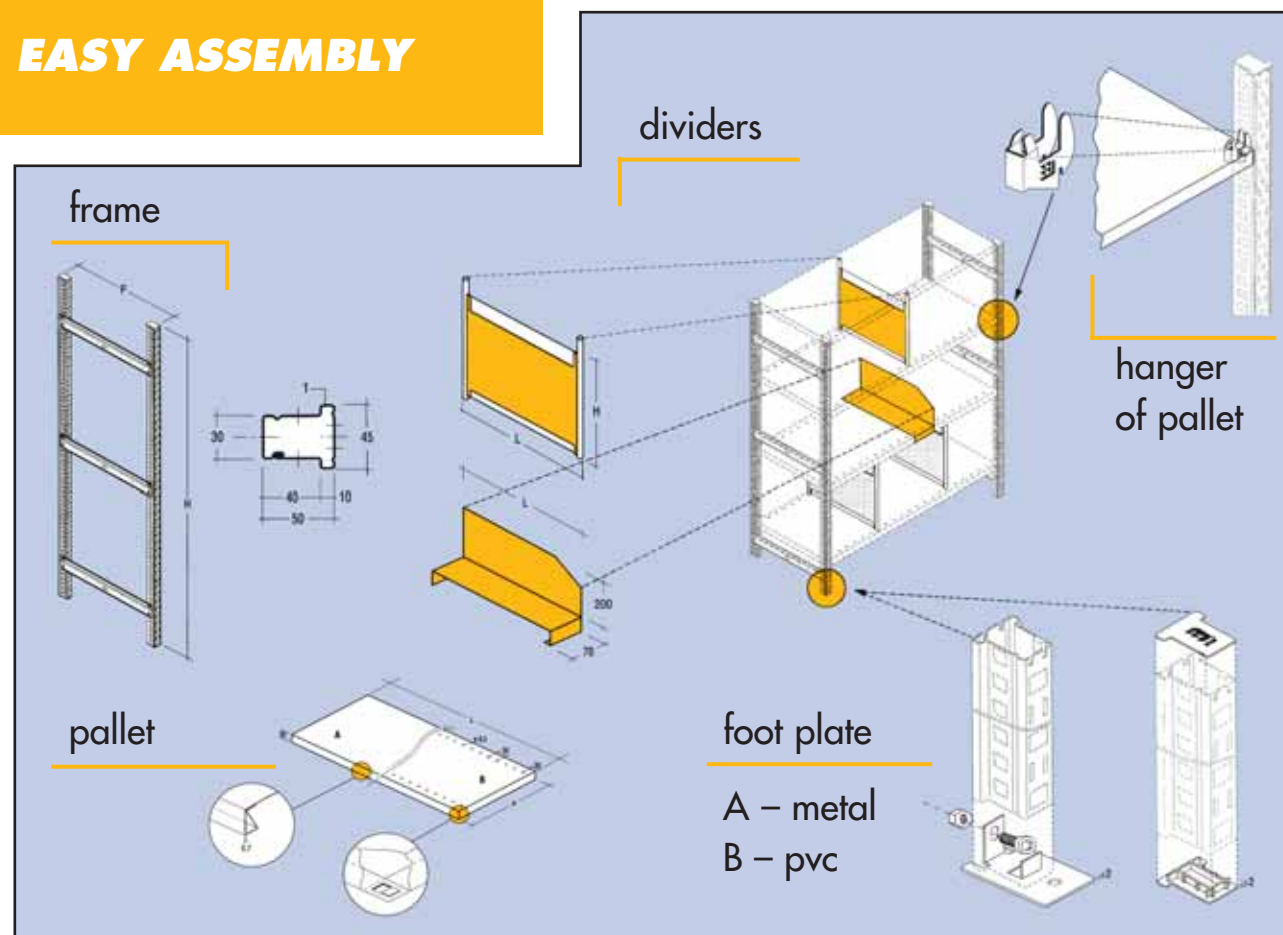
HANGED SHELVING RACK



- simple modular construction
- all-sheet pallets
- easy and fast assembly without bolts
- elegant look

HEIGHT ADJUSTABLE OF SHELVES AFTER 25 mm

EASY ASSEMBLY



SOLUTION FOR EVERYONE MEANS SOLUTION FOR YOU

TECHNICAL SPECIFICATION OF RACK

TYPICAL HEIGHT OF FRAMES (mm)
1500
2000
2500
3000
3500
4000
4500
5000
5500
6000

DEPTH OF RACK (mm)
300
330
400
500
600
800

- possibility of the frames delivery in other then typical heights (deviding after 50 mm)
- heighter height of the frames are delivered after the consultation with our projected office

TYPICAL DIMENSIONS AND LOADING CAPACITY OF THE PALLET						
Width of rack	Loading capacity (kg)					
	Depth of rack					
	300	330	400	500	600	800
600	250	240	230	220	190	120
800	220	210	200	190	160	100
1000	180	170	160	150	130	90
1200	140	130	120	110	100	80
1300	130	120	110	100	90	40
1500	90	80	70	60	50	

- the loading capacity of the stuffeded pallets we will willingly tell you on your demand

Colour version

- surface treating of the racks is standardly made by galvanizing or by powdered colours
- basic shade
 - blue RAL 5010 or RAL 5021
 - gray RAL 7035 or RAL 7016
 - yelow RAL 1007
- possibility of delivery also in other colour shades in line RAL

All what you need

After the usage determination of the racks is possible put to racks a lots of type of the apparatus

- pallets from grates in combination behind the chatching baths for the storage of the chemicals or mineral oils
- the deviders for the deviding of the pallets
- special beams for laying up the clothes and hangers
- bunker shelves for the small material
- the bars for hanging of the ladder
- side and back walls

VARIABLE USAGE



THE LEVELED COMPOSITION WITH PROMENADE PLATFORM

The system of the promenade platform is possible to made from the special sheet panels full or perforated app. From wood-fibrous special desk.

The transferring place on the platform is soluted eather with displaced or loose handrail by ČSN.



MOBILE RACKS

- power drive
- possibility of the locking of the separete parts
- dustproof version